

# HCH-3030-CHG

## 3 Bay Cradle Charger for the Motorola® MC3000/MC3100 Devices

### Charger Specifications:

#### Temperature Limits:

Operating Range: 0°C to +40°C  
Storage Range: -10°C to +50°C

#### Dimensions:

Width: 6.287 inches (159.69 mm)  
Length: 13.1 inches (333 mm)  
Height: 4.4 inches (113 mm)  
without device inserted.  
Weight: 2.02 pounds (900 g)

#### Warranty:

Each charger is guaranteed to be free from defects in materials and workmanship for 24 months from date of shipment under normal use.



### Compatible Batteries:

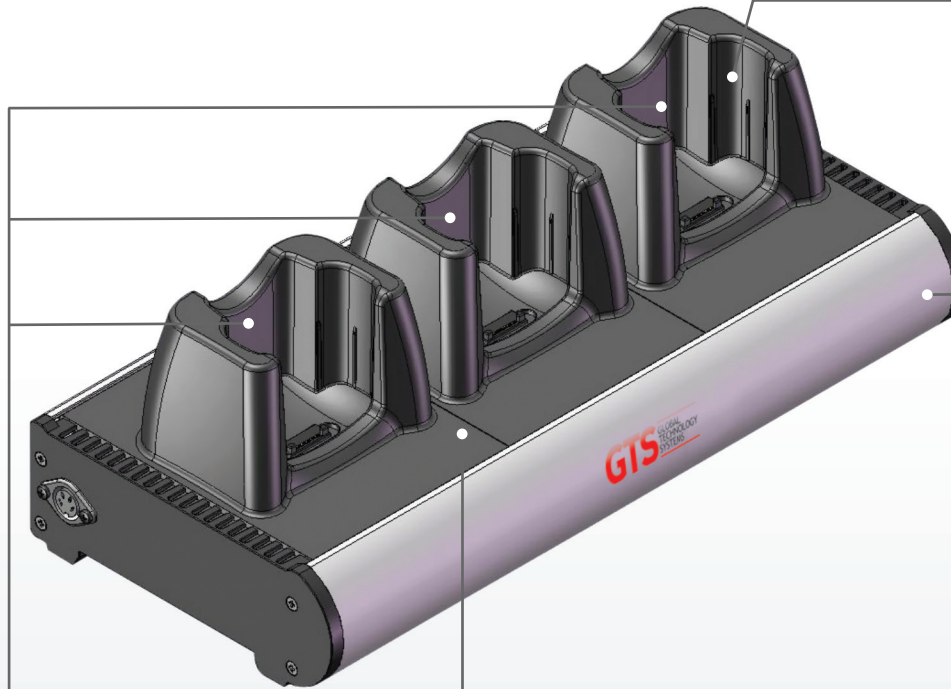
HMC3000-IMG-Li Honeywell® Battery  
HMC3000-LAS-Li Honeywell® Battery

- Highest quality cells used.
- Longer cycle life.
- Extremely rugged.
- Rigorous testing.



Trademarks are the sole property of their respective owners.  
The Honeywell® Trademark is used under license from Honeywell® International Inc.

11.09.12



**Dual-chemistry charger**  
Supports Li-Ion and Li-Polymer chemistries.

**Hassle-free mounting**  
Utilizes same mounting bracket as Symbol® chargers for easy wall mounting.

Made of highly rugged aerospace grade aluminium housing.

Includes power supplies and cable.

**More charging in less space**  
Charges 50% more batteries in same space as OEM charger.

**Tri-color charging indications**  
A charging LED indicates charging status.



#### For Pricing or Additional Information Contact:

Global Technology Systems, Inc.  
550 Cochituate Road Framingham, MA 01701  
800.267.2711 ■ In Europe call: 00800.5390.5390  
www.GTSPower.com

