

# HCH-7060-CHG

## 6 Bay Cradle Charger

### Charger Specifications:

#### Temperature Limits:

Operating Range: 0°C to +40°C  
Storage Range: -10°C to +50°C

#### Dimensions:

Width: 6.3 inches (160 mm)  
Length: 24.8 inches (630 mm)  
Height: 4.5 inches (114 mm)  
without batteries or device inserted.  
Weight: 5.6 lb (2500 g)

#### Warranty:

Each charger is guaranteed to be free from defects in materials and workmanship for 24 months from date of shipment under normal use.



### Compatible Batteries:

- HMC70-Li(22) Honeywell® Battery
- HMC70-Li(36) Honeywell® Battery
- HMC70-Li(48) Honeywell® Battery

- Highest quality cells used.
- Longer cycle life.
- Extremely rugged.
- Rigorous testing.



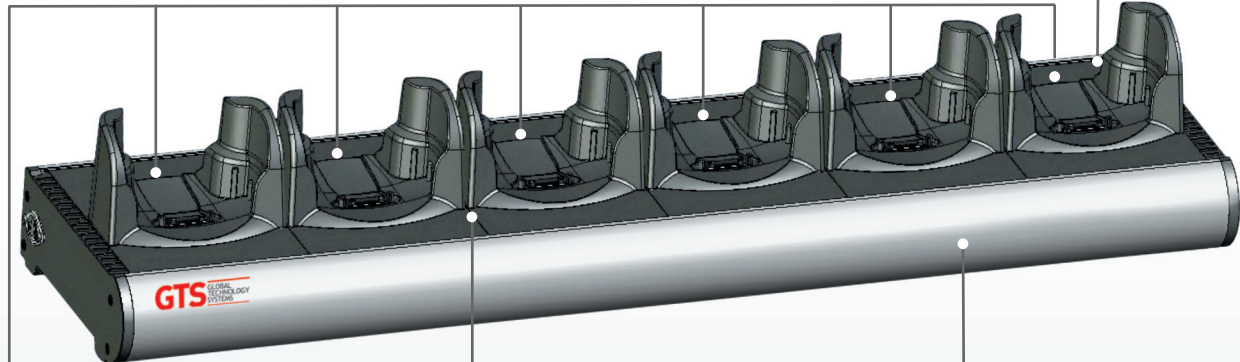
Trademarks are the sole property of their respective owners.  
The Honeywell® Trademark is used under license from Honeywell® International Inc.

11.09.27

Made of highly rugged aerospace grade aluminium housing.

Includes power supplies and cable.

**Dual-chemistry charger**  
Supports Li-Ion and Li-Polymer chemistries.



**More charging in less space**  
Charges 50% more batteries in same space as OEM charger.

**Tri-color charging indications**  
A charging LED indicates charging status.



**Hassle-free mounting**  
Utilizes same mounting bracket as Symbol® chargers for easy wall mounting.

#### For Pricing or Additional Information Contact:

Global Technology Systems, Inc.  
550 Cochituate Road Framingham, MA 01701  
800.267.2711 ■ In Europe call: 00800.5390.5390  
[www.GTSPower.com](http://www.GTSPower.com)